



Sferico

Design Joe Colombo

Year 1968



Joe Colombo

Prolific Italian architect and designer Joe Colombo, born Cesare Colombo, believed in democratic and functional design, meant to be used in many different ways - all for the benefit of the user. Ahead of his time, Colombo relied on emerging material and the latest technologies to design futuristic "machines for living", many of which have become icons for a new way of living.



Joe Colombo believed in democratic and functional design. In his lifetime he designed a wide range of different drinking glasses. Something that seems very to the point as he was said to love drinking and smoking. Unfortunately this undoubtedly contributed to his young demise, but we'd like to think he would be pleased to see that his creations live on.

In 1968 he designed a series of six glasses, all based on geometrical figures. True to his democratic and functional take on design, all the glasses were intended for a wide range of different usage—such as water, long drinks, whisky, wine, beer, juice, champagne, ice cream and so on.

PRODUCT DATA

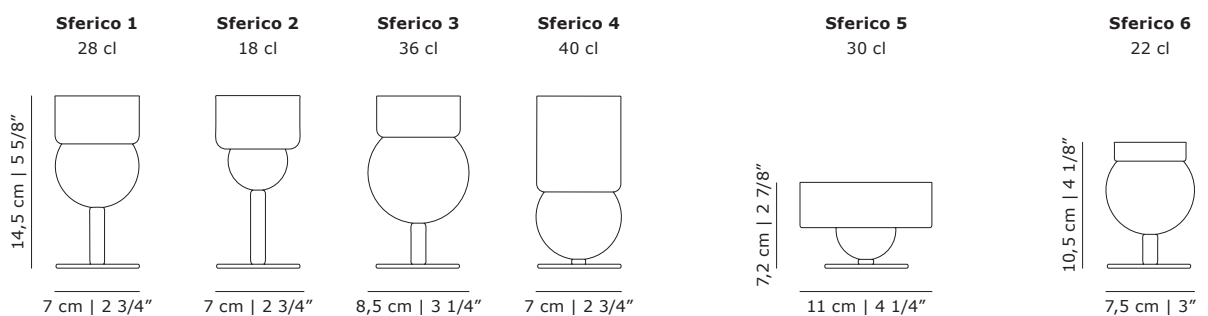
Design	Joe Colombo. 1968
Product type	Glass tableware
Materials	Clear mouth-blown lead-free crystal Dishwasher safe

DELIVERY

Lead time	Stock (if backorder: 20 weeks)
Sales units	6 x Sferico glasses in one master box

ARTICLE CODES

200233	Sferico No. 1
200235	Sferico No. 2
200219	Sferico No. 3
200223	Sferico No. 4
200237	Sferico No. 5
200228	Sferico No. 6





Founded on rebellious curiosity and a passion for the unique, Karakter is a bit out of the ordinary. Rooted in the proud Danish design tradition, but always maintaining an international outlook, Karakter presents a striking portfolio of furniture, lighting and objects from designers who have already written the history of design to those who are aspiring to write the future. All designers collaborating with Karakter are curated for their ideas and creativity and shared by all of them is an inspiring level of curiosity and an uncompromising take on their work. Boasting both the relevant and honest, the beautiful, the playful and the expressive, all designs have a clear, undeniable character. Ready to spark curiosity and start conversations.

Head Office

Karakter
Gammel Lundtoftevej 1C
2800 Kongens Lyngby
Denmark

T +45 38 41 41 31
@karaktercopenhagen
info@karakter-copenhagen.com

Showroom - Paris

Karakter
242 Bis bd st Germain
75007 Paris
France

T +33 01 43 25 48 05
karakterparis@cassina.com

Karakter Corner - Milan

Cassina Showroom
Via Durini, 16
20122 Milano
Italy

T +39 02 76 02 07 45

